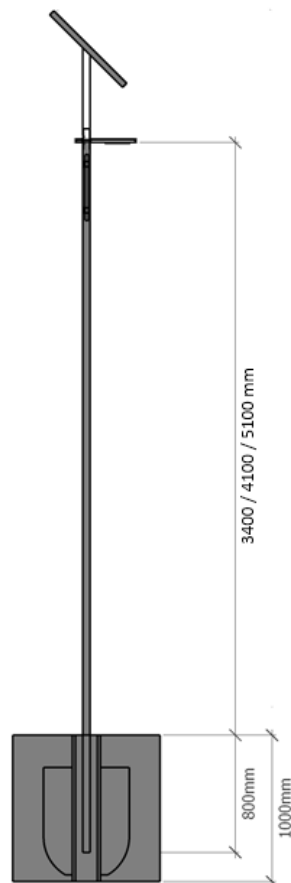


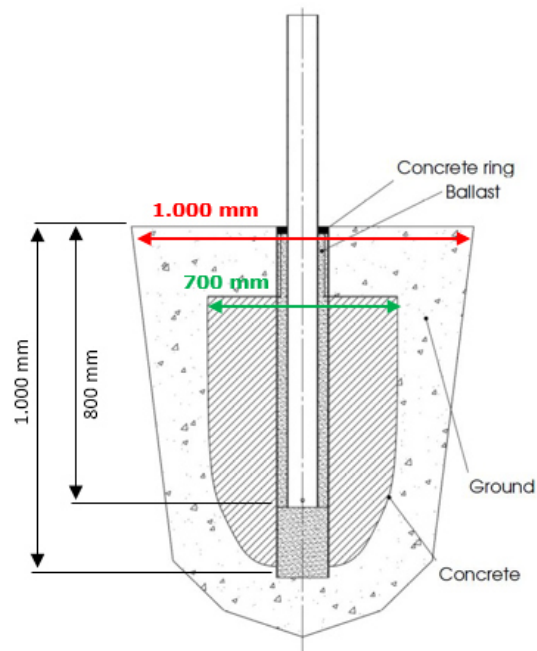
Foundation



07.2021

Pipe foundation
 concrete pipe (no plastic pipe)
 Diameter: 150-300mm
 Length: 1000mm (1200mm)*
 Depth: 800mm (1000mm)* into the soil

*at length of pole 5,80m



Install the luminaire only with suitable fixing materials and a suitable foundation.
 If necessary, call in a specialist.

Ground screw
 e.g. Krinner KSF G 114x1000-4xM16
 (KSF G 114x1300-4xM16)*
 Please follow the instructions of the
 manufacturer of your chosen ground screw

